

ANCHORING SUGGESTIONS FOR YOUR VISSCHER STRUCTURE

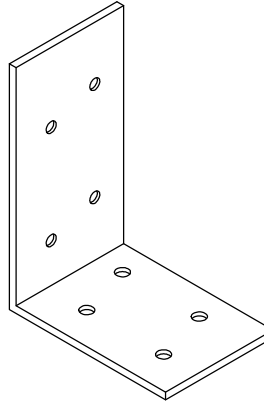
ANCHORING YOUR STRUCTURE TO A FIRM PLATFORM IS ONE WAY TO PREVENT DAMAGE CAUSED BY ENVIRONMENTAL FACTORS SUCH AS HIGH WINDS. PLEASE CONSIDER THESE ANCHORING SUGGESTIONS FOR CONCRETE AND WOOD PLATFORMS.

AS EACH ANCHORING PLATFORM IS DIFFERENT, VISSCHER SPECIALTY PRODUCTS WILL NOT BE HELD RESPONSIBLE FOR DAMAGES CAUSED BY THIRD-PARTY ANCHORING PRODUCTS AS SUGGESTED IN THIS INFORMATION PACKAGE.

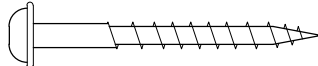
PLEASE CONSIDER THESE SUGGESTIONS IN UNDERSTANDING THE END-CUSTOMER IS ULTIMATELY RESPONSIBLE FOR THE PURCHASE AND INSTALLATION OF ANY AND ALL ANCHORING HARDWARES.

FULLY ENCLOSED MODELS - SUGGESTED HARDWARE (NOT PROVIDED)

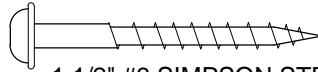
16X
SIMPSON STRONG-TIE
(SST)A33

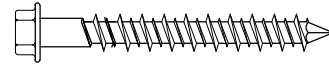


WOOD PLATFORM

128X  1 1/2" #9 SIMPSON STRONG (SST) TIE EXTERIOR GRADE STRUCTURAL SCREW

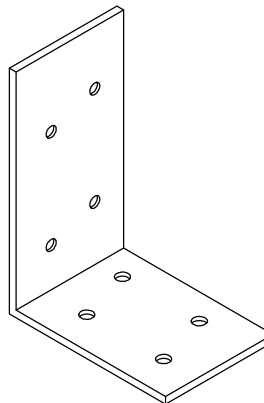
CONCRETE PLATFORM

64X  1 1/2" #9 SIMPSON STRONG TIE (SST) EXTERIOR GRADE STRUCTURAL SCREW

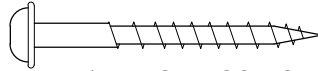
64X  3/16 x 1 3/4" HEX HEAD TAPCON CONCRETE ANCHOR

OPEN AIR MODELS - SUGGESTED HARDWARE (NOT PROVIDED)

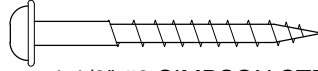
8X
SIMPSON STRONG-TIE
(SST)A33

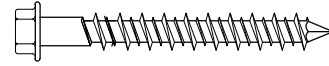


WOOD PLATFORM

64X  1 1/2" #9 SIMPSON STRONG (SST)TIE EXTERIOR GRADE STRUCTURAL SCREW

CONCRETE PLATFORM

32X  1 1/2" #9 SIMPSON STRONG (SST)TIE EXTERIOR GRADE STRUCTURAL SCREW

32X  3/16 x 1 3/4" HEX HEAD TAPCON CONCRETE ANCHOR

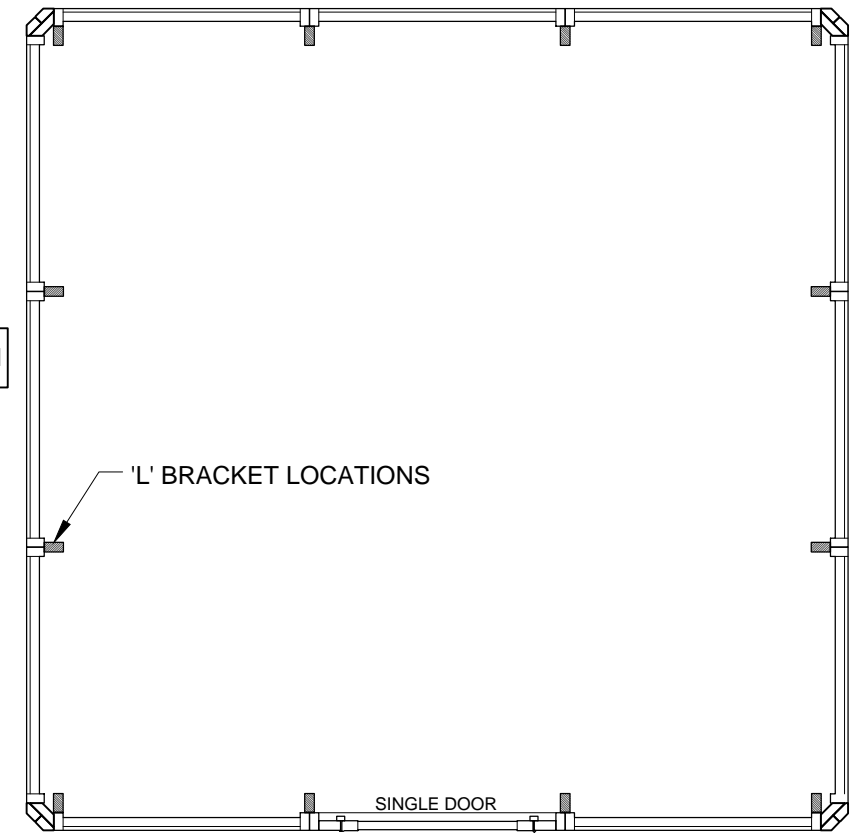
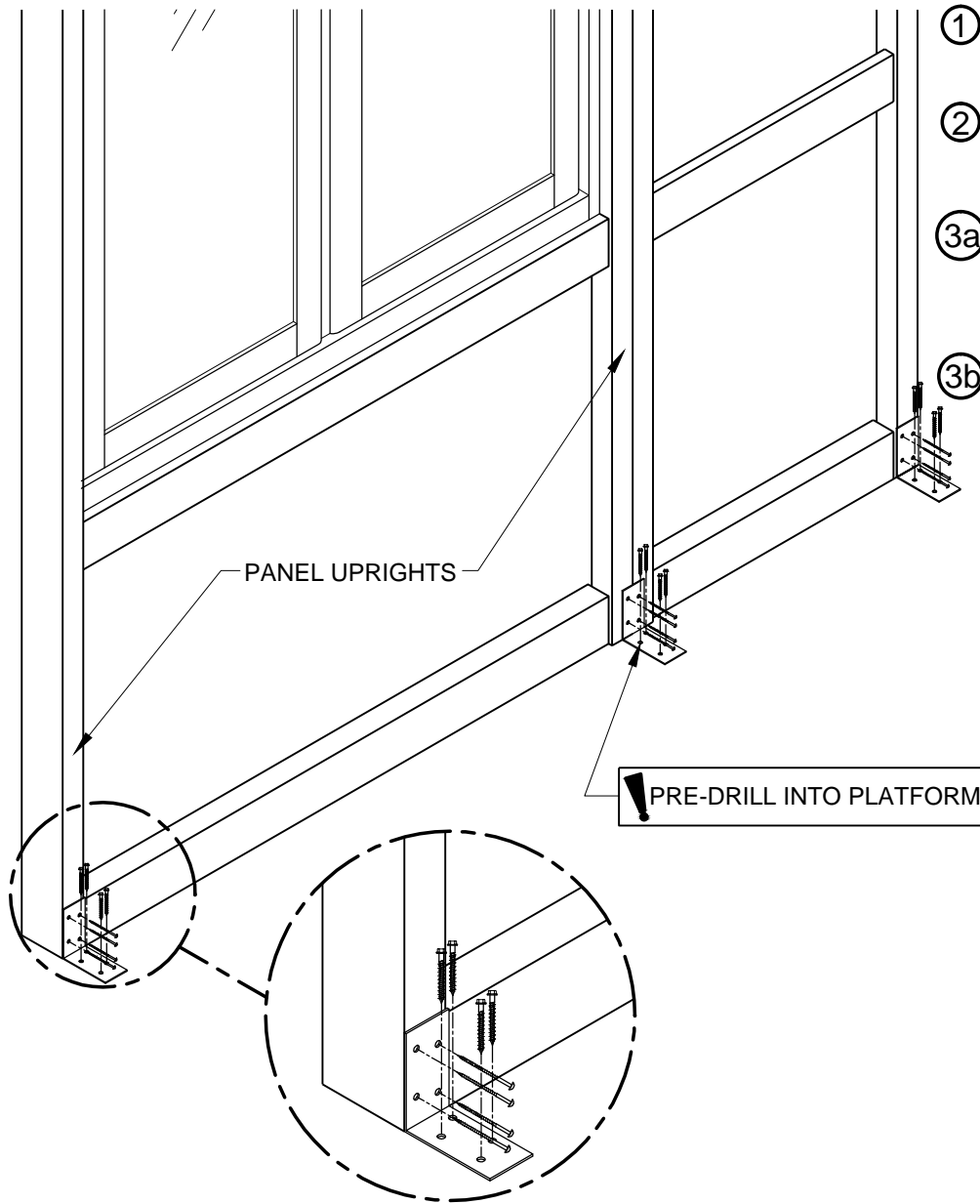
- ① PLACE 'L' BRACKETS AGAINST THE PANEL UPRIGHTS AT THE LOCATIONS SHOWN.
- ② FASTEN THE 'L' BRACKETS TO THE PANEL UPRIGHTS USING FOUR (SST) #9 1 1/2" EXTERIOR GRADE STRUCTURAL SCREWS PER BRACKET.

CONCRETE PLATFORM

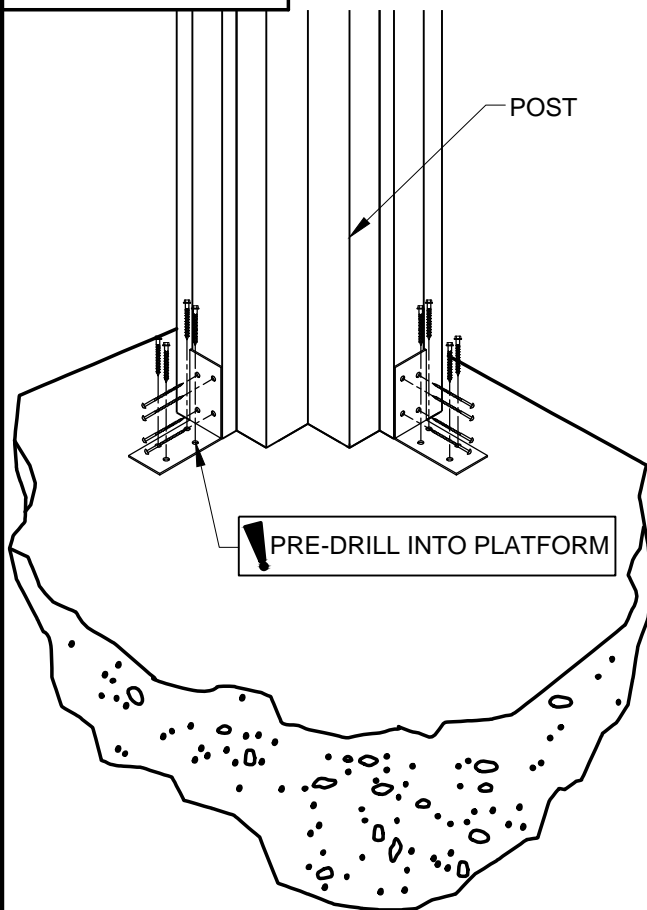
- ③a FASTEN THE 'L' BRACKET TO THE GROUND USING FOUR 3/16 X 1 3/4" HEX HEAD TAPCON CONCRETE ANCHOR TO SECURE THE PANELS TO THE CONCRETE BASE.

WOOD PLATFORM

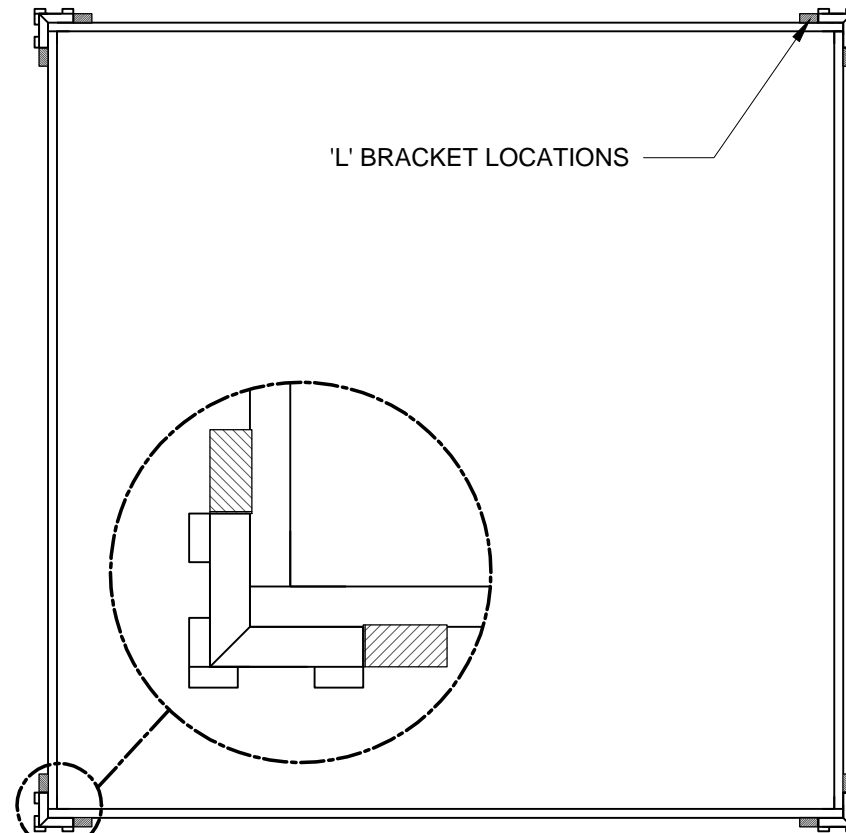
- ③b FASTEN THE 'L' BRACKET TO THE GROUND USING FOUR (SST) #9 1 1/2" EXTERIOR GRADE STRUCTURAL SCREWS TO SECURE THE PANELS TO THE WOOD BASE.



Plan View of Enclosed Panels



- ① PLACE 'L' BRACKET AGAINST THE POSTS AT THE LOCATIONS SHOWN.
- ② FASTEN THE 'L' BRACKET TO THE POSTS USING FOUR (SST) #9 1 1/2" EXTERIOR GRADE STRUCTURAL SCREWS PER BRACKET.
- ③a **CONCRETE PLATFORM**
FASTEN THE 'L' BRACKET TO THE GROUND USING FOUR 3/16 X 1 3/4" HEX HEAD TAPCON CONCRETE ANCHOR TO SECURE THE PANELS TO THE CONCRETE BASE.
- ③b **WOOD PLATFORM**
FASTEN THE 'L' BRACKET TO THE GROUND USING FOUR (SST) #9 1 1/2" EXTERIOR GRADE STRUCTURAL SCREWS TO SECURE THE PANELS TO THE WOOD BASE.



Plan View of Open Air Gazebo

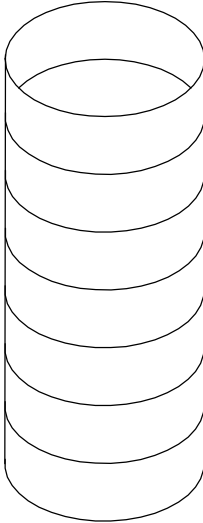
ANCHORING SUGGESTIONS FOR YOUR VISSCHER STRUCTURE

ANCHORING YOUR STRUCTURE TO A FIRM PLATFORM IS ONE WAY TO PREVENT DAMAGE CAUSED BY ENVIRONMENTAL FACTORS SUCH AS HIGH WINDS. PLEASE CONSIDER THESE ANCHORING SUGGESTIONS FOR CONCRETE AND WOOD PLATFORMS.

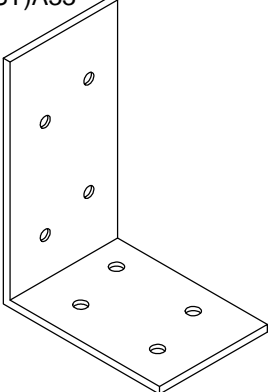
AS EACH ANCHORING PLATFORM IS DIFFERENT, VISSCHER SPECIALTY PRODUCTS WILL NOT BE HELD RESPONSIBLE FOR DAMAGES CAUSED BY THIRD-PARTY ANCHORING PRODUCTS AS SUGGESTED IN THIS INFORMATION PACKAGE.

PLEASE CONSIDER THESE SUGGESTIONS IN UNDERSTANDING THE END-CUSTOMER IS ULTIMATELY RESPONSIBLE FOR THE PURCHASE AND INSTALLATION OF ANY AND ALL ANCHORING HARDWARES.

OPEN AIR MODELS - SUGGESTED HARDWARE (NOT PROVIDED)

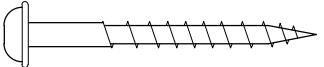


4X
CYLINDRICAL
CONCRETE
FORMS




8X
SIMPSON STRONG-TIE
(SST)A33

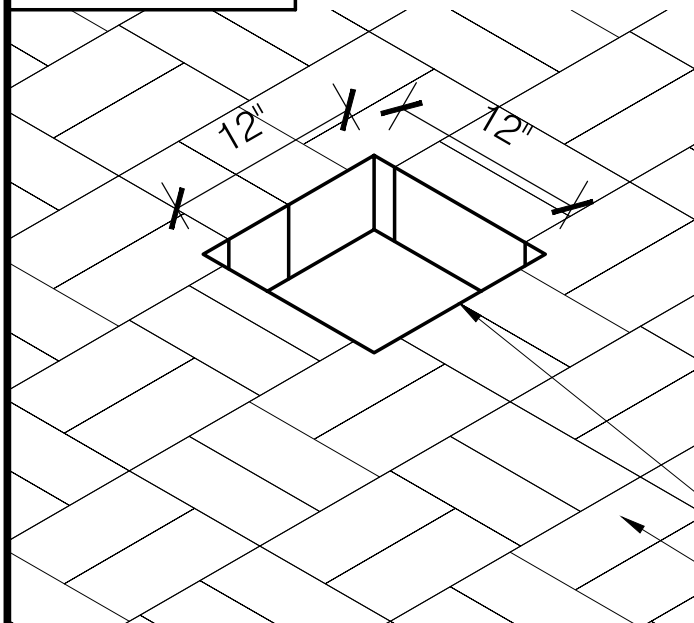
BRICK PAVERS PLATFORM

32X


1 1/2" #9 SIMPSON STRONG (SST)TIE
EXTERIOR GRADE STRUCTURAL SCREW

32X


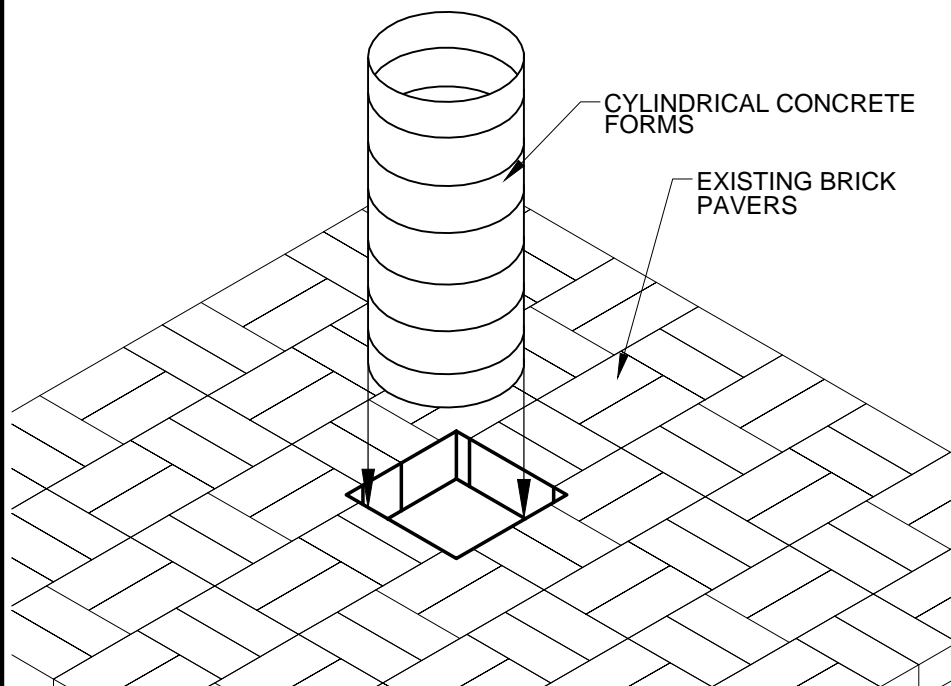
3/16 x 1 3/4" HEX HEAD TAPCON CONCRETE
ANCHOR



- ① CLEAR OR CUT ENOUGH BRICK PAVERS TO MAKE A 12" X 12" SQUARE OPENING.
- ② DIG A HOLE TO PLACE A CONCRETE FORM FOR A FOOTING. THE DEPTH OF THE CONCRETE FORM WILL VARY DEPENDING ON THE FROST LEVELS OF THE JURISDICTION. **CONTACT YOUR LOCAL CONTRACTOR OR CITY BUILDING DEPARTMENT FOR DETAIL ON THIS DEPTH.**
- ③ PLACE CONCRETE FORM INTO GROUND AND BACK FILL EXTERIOR OF CONCRETE FORM AS PER OWNER/JURISDICTION REQUIREMENTS.
- ④ PLACE REBAR INTO CONCRETE FORM AS PER JURISDICTION REQUIREMENTS AND TIE TO A PIECE OF WELDED WIRE MESH THAT IS PLACED IN THE 12" X 12" OPENING.
- ⑤ FILL THE CONCRETE FORM WITH CONCRETE AND CREATE A LEVEL SURFACE AT THE TOP OF THE CONCRETE FORM FLUSH WITH THE BRICK PAVERS.

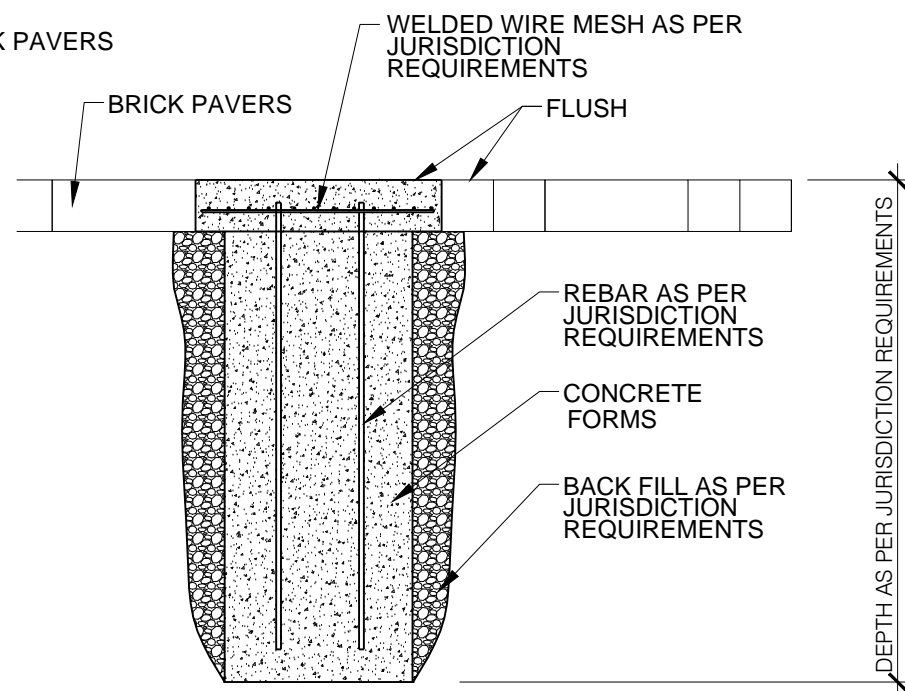
12" X 12" OPENING IN PAVERS

EXISTING BRICK PAVERS



CYLINDRICAL CONCRETE FORMS

EXISTING BRICK PAVERS



BRICK PAVERS

WELDED WIRE MESH AS PER JURISDICTION REQUIREMENTS

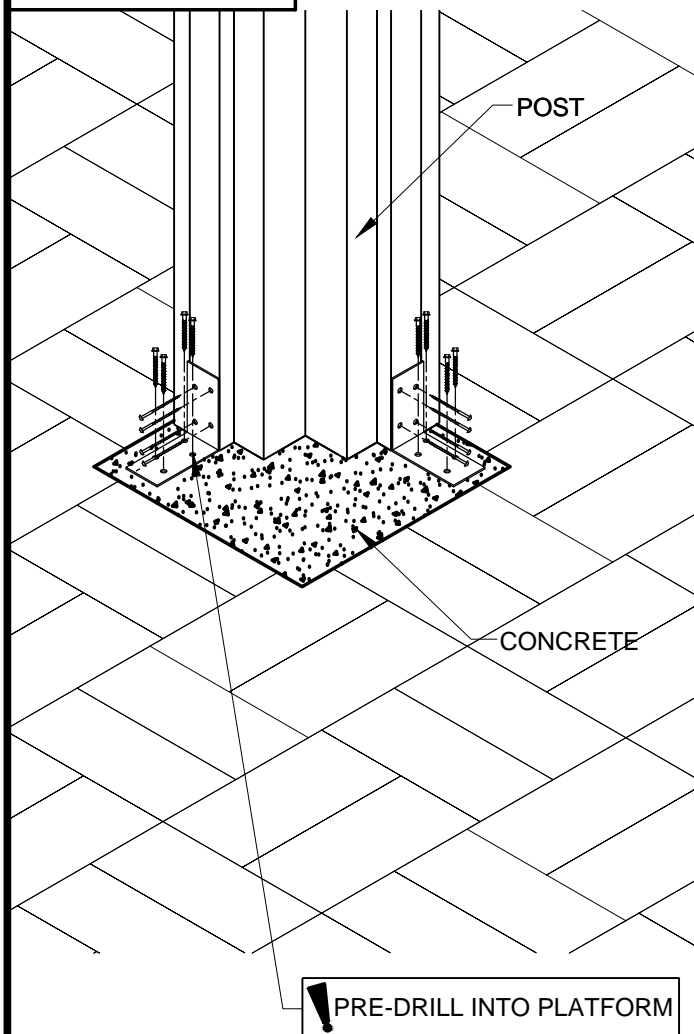
FLUSH

REBAR AS PER JURISDICTION REQUIREMENTS

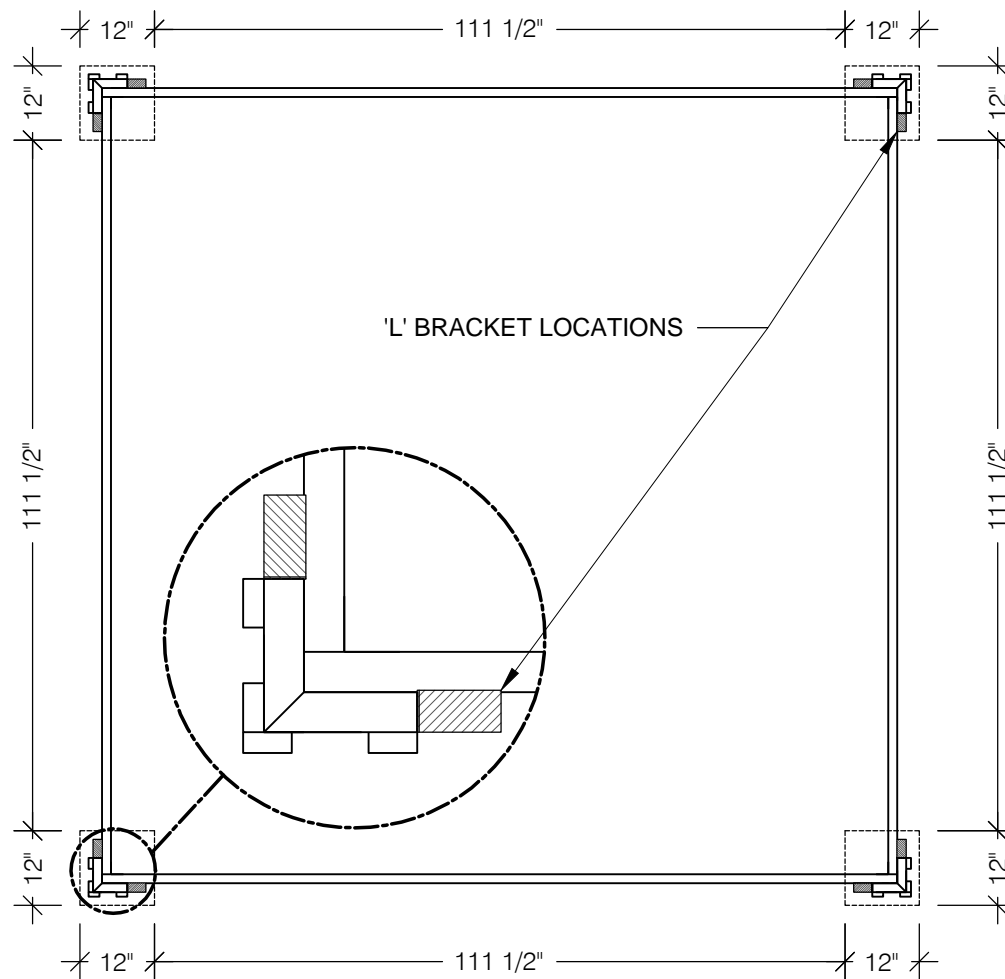
CONCRETE FORMS

BACK FILL AS PER JURISDICTION REQUIREMENTS

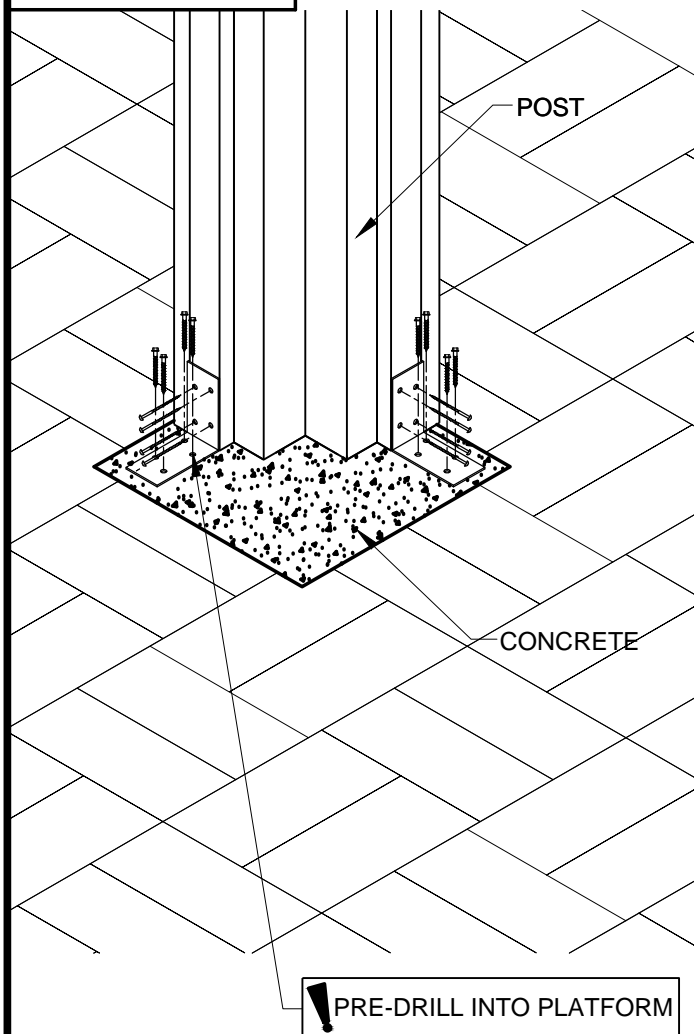
DEPTH AS PER JURISDICTION REQUIREMENTS



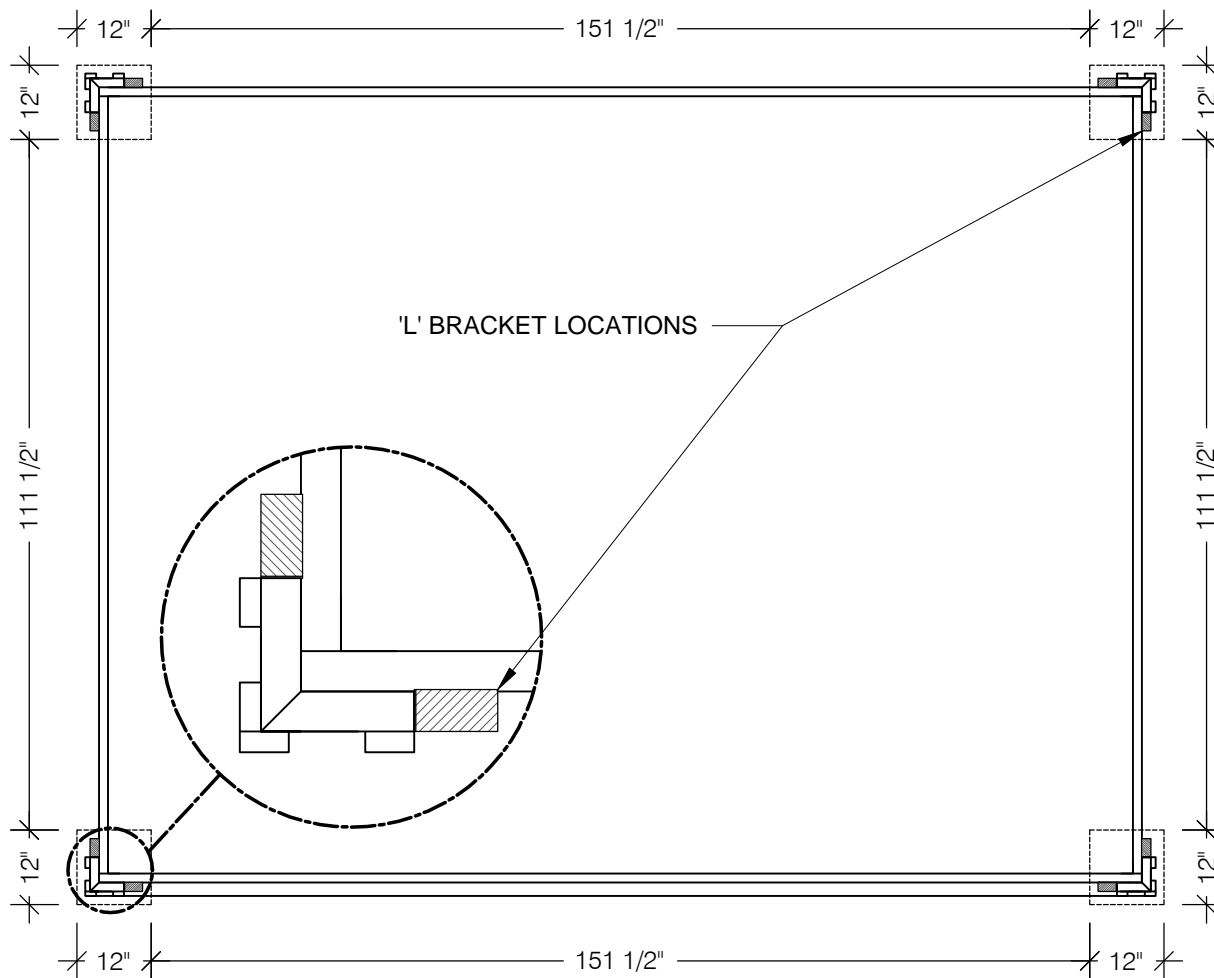
- ① PLACE 'L' BRACKET AGAINST THE POSTS AT THE LOCATIONS SHOWN.
- ② FASTEN THE 'L' BRACKET TO THE POSTS USING FOUR (SST) #9 1 1/2" EXTERIOR GRADE STRUCTURAL SCREWS PER BRACKET.
- ③ **CONCRETE PLATFORM**
FASTEN THE 'L' BRACKET TO THE GROUND USING FOUR 3/16 X 1 3/4" HEX HEAD TAPCON CONCRETE ANCHOR TO SECURE THE PANELS TO THE CONCRETE BASE.



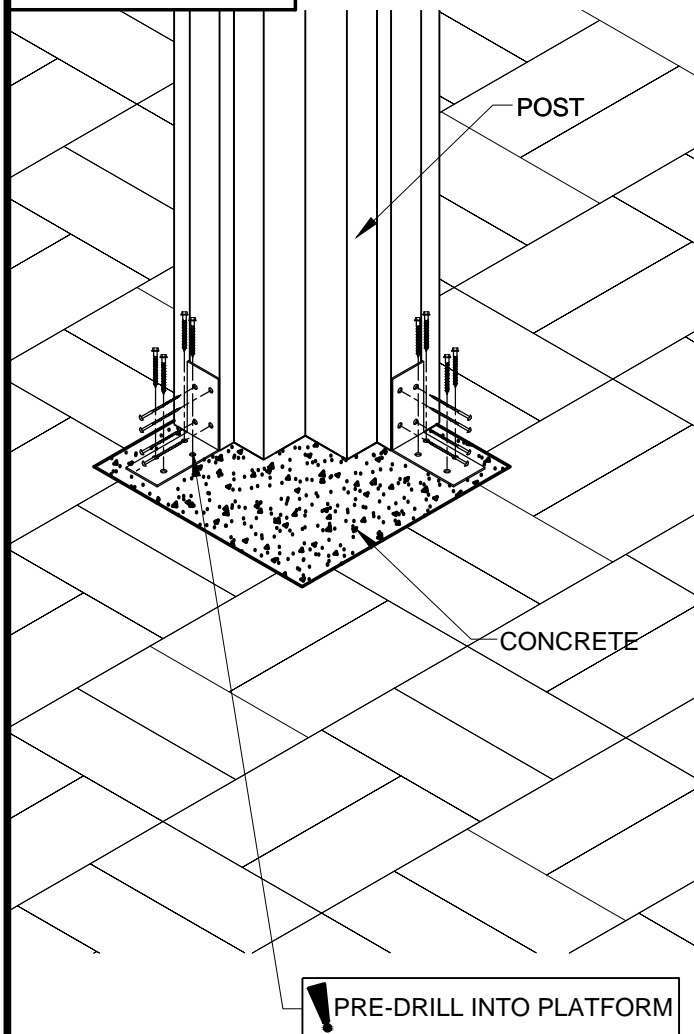
Plan View of 11x11 Open Air Gazebo



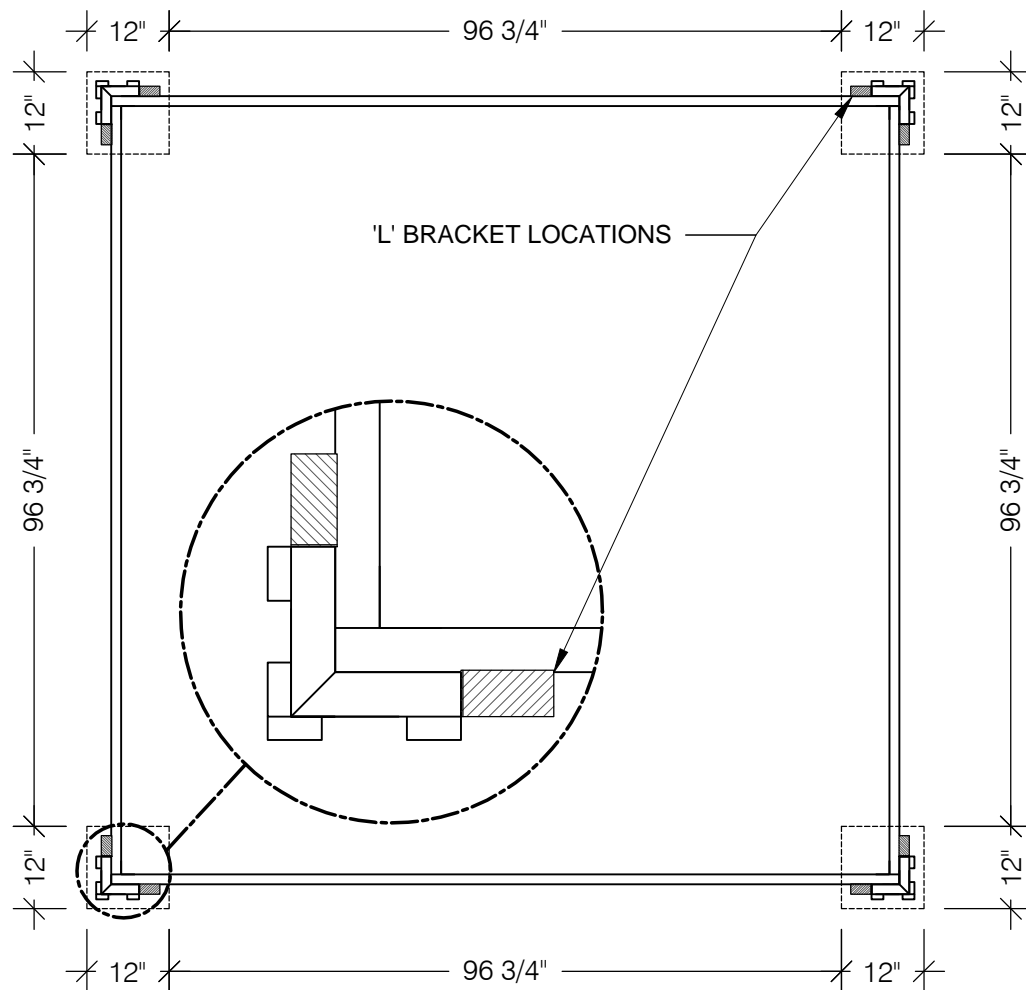
- ① PLACE 'L' BRACKET AGAINST THE POSTS AT THE LOCATIONS SHOWN.
- ② FASTEN THE 'L' BRACKET TO THE POSTS USING FOUR (SST) #9 1 1/2" EXTERIOR GRADE STRUCTURAL SCREWS PER BRACKET.
- ③ **CONCRETE PLATFORM**
FASTEN THE 'L' BRACKET TO THE GROUND USING FOUR 3/16 X 1 3/4" HEX HEAD TAPCON CONCRETE ANCHOR TO SECURE THE PANELS TO THE CONCRETE BASE.



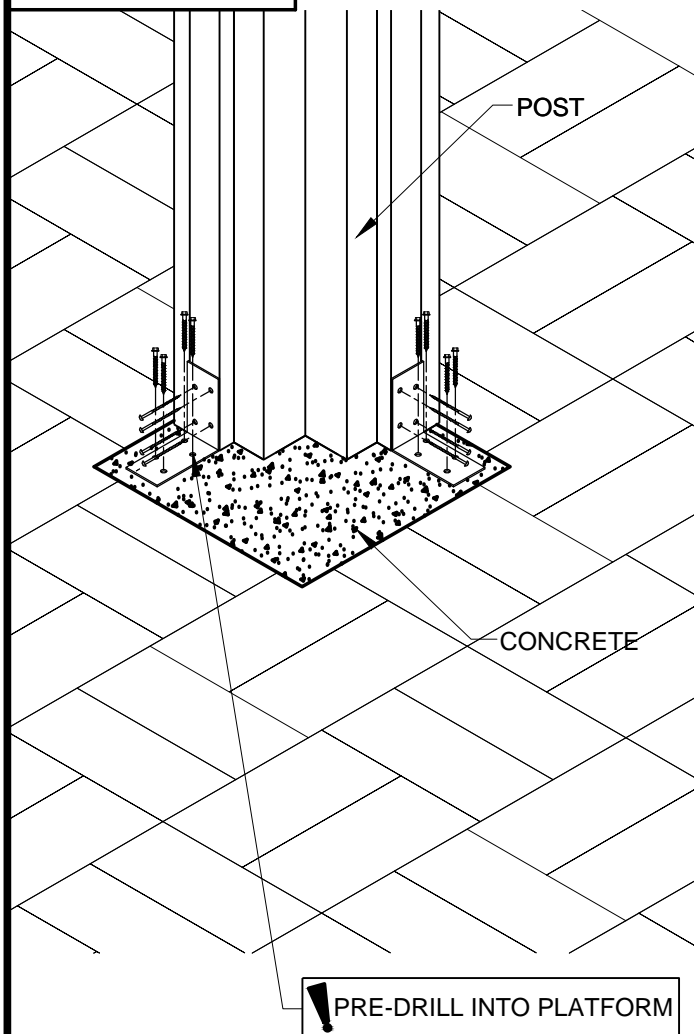
Plan View of 11x14 Open Air Gazebo



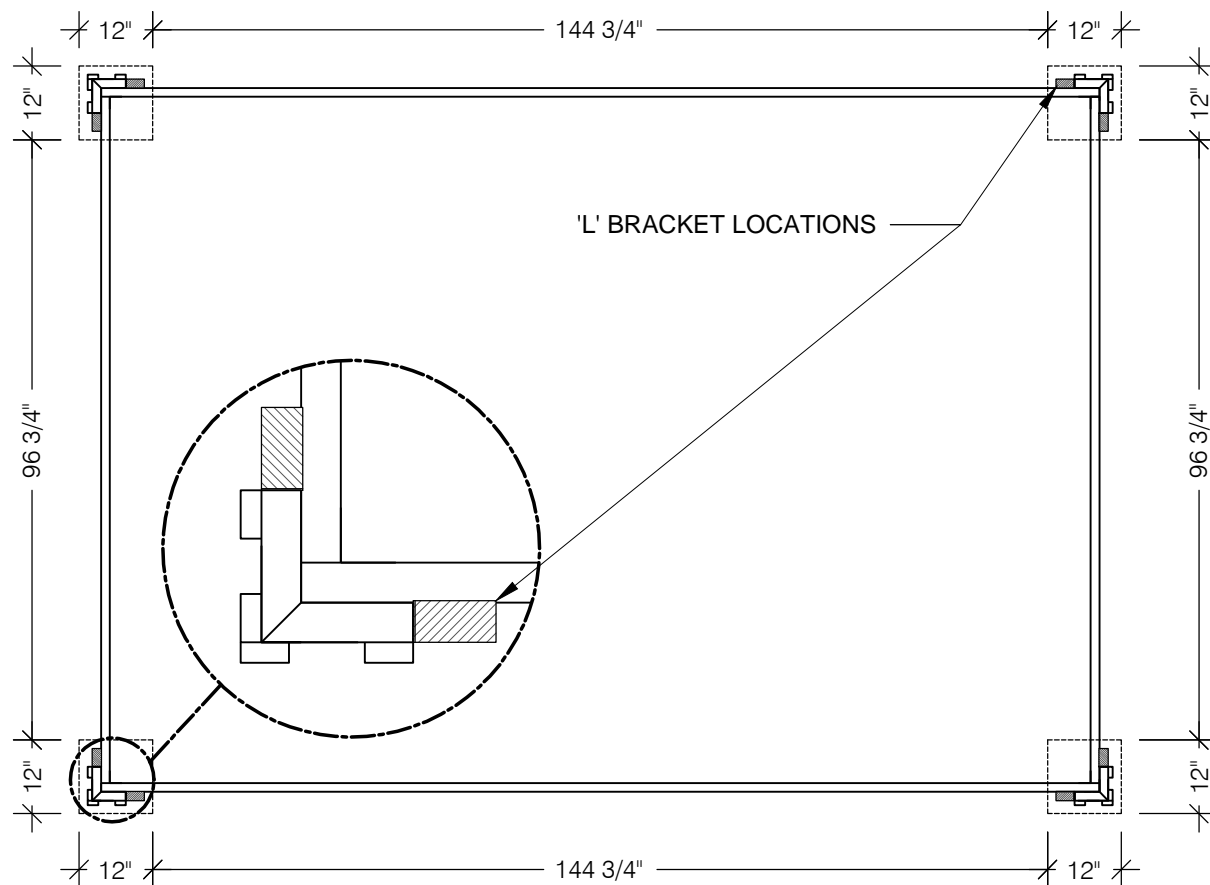
- ① PLACE 'L' BRACKET AGAINST THE POSTS AT THE LOCATIONS SHOWN.
- ② FASTEN THE 'L' BRACKET TO THE POSTS USING FOUR (SST) #9 1 1/2" EXTERIOR GRADE STRUCTURAL SCREWS PER BRACKET.
- ③ **CONCRETE PLATFORM**
FASTEN THE 'L' BRACKET TO THE GROUND USING FOUR 3/16 X 1 3/4" HEX HEAD TAPCON CONCRETE ANCHOR TO SECURE THE PANELS TO THE CONCRETE BASE.



Plan View of 10x10 Pergola



- ① PLACE 'L' BRACKET AGAINST THE POSTS AT THE LOCATIONS SHOWN.
- ② FASTEN THE 'L' BRACKET TO THE POSTS USING FOUR (SST) #9 1 1/2" EXTERIOR GRADE STRUCTURAL SCREWS PER BRACKET.
- ③ **CONCRETE PLATFORM**
FASTEN THE 'L' BRACKET TO THE GROUND USING FOUR 3/16 X 1 3/4" HEX HEAD TAPCON CONCRETE ANCHOR TO SECURE THE PANELS TO THE CONCRETE BASE.



Plan View of 10x14 Pergola